



# Z888-4

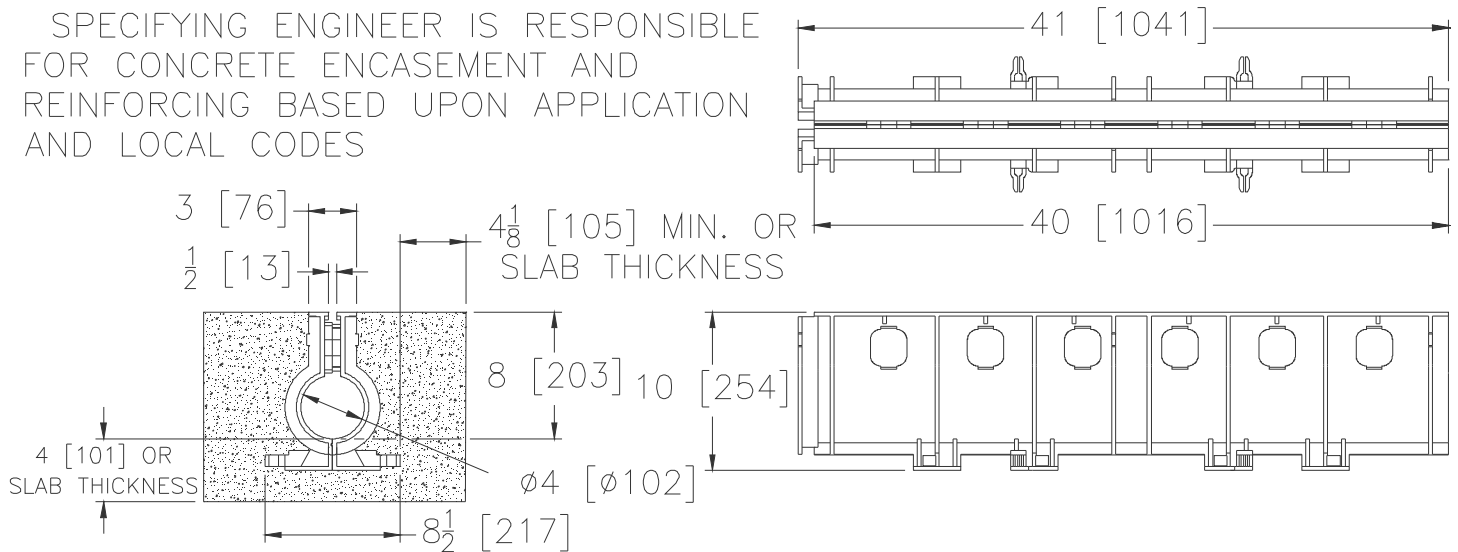
SPECIFICATION SHEET

## SLOTTED DRAINAGE SYSTEM FOR 4 [102] PIPE OR EQUIVALENT

TAG \_\_\_\_\_

Dimensional Data (inches and [ mm ]) are Subject to Manufacturing Tolerances and Change Without Notice

SPECIFYING ENGINEER IS RESPONSIBLE FOR CONCRETE ENCASEMENT AND REINFORCING BASED UPON APPLICATION AND LOCAL CODES



### ENGINEERING SPECIFICATION: Zurn Z888-4

Slot drain shall be 40 [1016] long, 4 [102] wide, and 8 [204] invert, with 1/2 [13] slot opening (ADA Compliant). Drain shall be made of (HDPE) High Density Polyethylene, and is UV-10 stabilized. Drain shall have rebar clips molded onto bedding feet and/or bedding feet shall be used for positioning and anchoring purposes. Overlap connection shall be interlocked.

### PREFIXES

\_\_\_ Z High Density Polyethylene Slot Drain with Integral Top Frame\*

### SUFFIXES (Check/specify appropriate options)

- \_\_\_ -E1 Closed End Cap
- \_\_\_ -E2 2 [51] No-Hub End Outlet
- \_\_\_ -E3 3 [76] No-Hub End Outlet
- \_\_\_ -E4 4 [102] No-Hub End Outlet
- \_\_\_ -EXT 4 [102] Extension
- \_\_\_ -PVSS Stainless Steel Frame with Slot
- \_\_\_ -U2 2 [51] No-Hub Bottom Outlet
- \_\_\_ -U3 3 [76] No-Hub Bottom Outlet
- \_\_\_ -U4 4 [102] No-Hub Bottom Outlet
- \_\_\_ -RD Radius Connector
- \_\_\_ -WS25 1/4 [6] Wide Heel-Proof Slots
- \_\_\_ -WS75 3/4 [19] Wide Slots
- \_\_\_ -90 90-Degree Connector

Supplied By:

**TRENCHDRAIN  
SUPPLY**

877-903-7246

www.trenchdrainsupply.com

REV. E DATE: 09/20/13 C.N. NO. 129961

PROD./DWG. NO. Z888-4

\*REGULARLY FURNISHED UNLESS OTHERWISE SPECIFIED

ZURN INDUSTRIES, LLC ♦ SPECIFICATION DRAINAGE OPERATION ♦ 1801 Pittsburgh Ave. ♦ Erie, PA 16514

Phone: 814/455-0921 ♦ Fax: 814/454-7929 ♦ World Wide Web: www.zurn.com

In Canada: ZURN INDUSTRIES LIMITED ♦ 3544 Nashua Drive ♦ Mississauga, Ontario L4V1L2 ♦ Phone: 905/405-8272 Fax: 905/405-1292